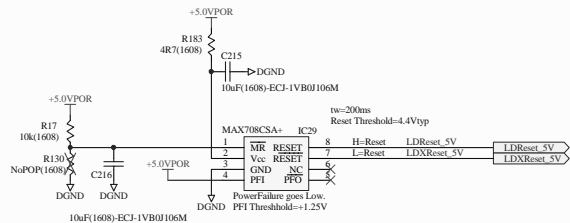
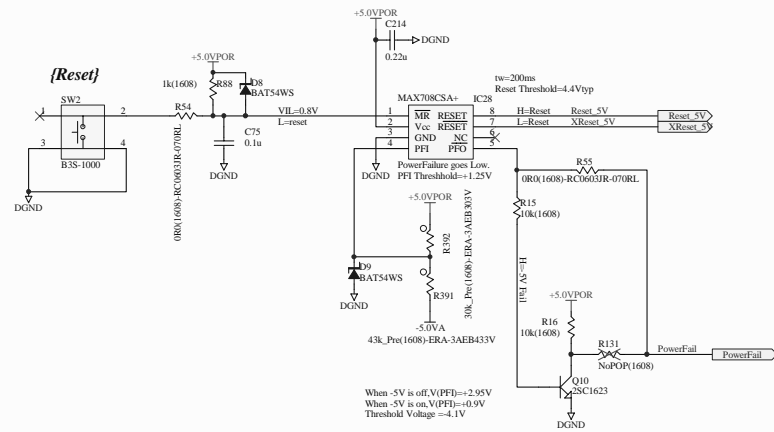


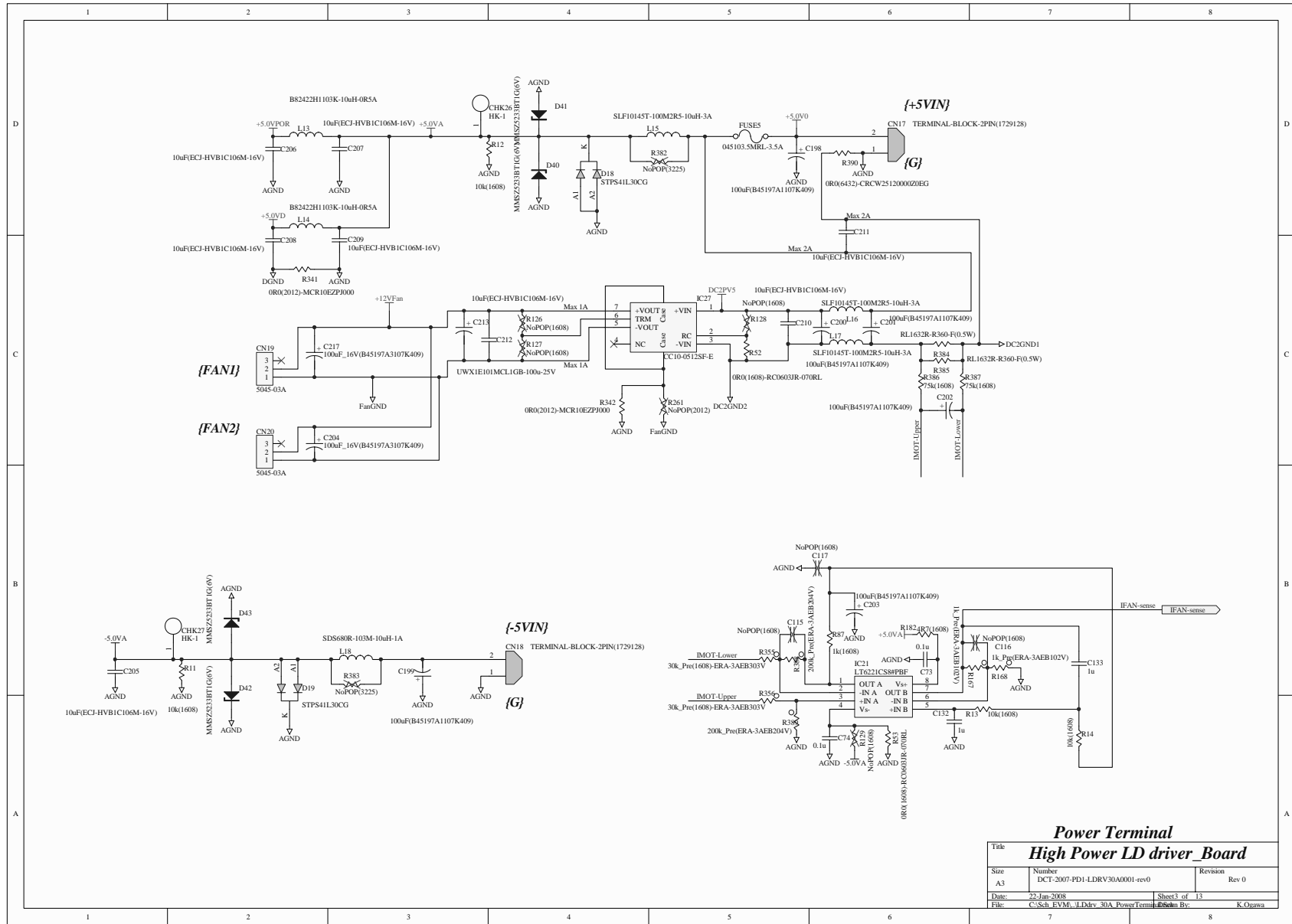
Top
High Power LD driver Board

Title		
Size	Number	Revision
A3	DCT-2007-PD1-LDRV30A0001-rev0	Rev 0
Date:	22-Jan-2008	Sheet 1 of 13
File:	C:\Sch_EVM\LDdrv_30A_Top.Sch	Drawn By: K.Ozawa



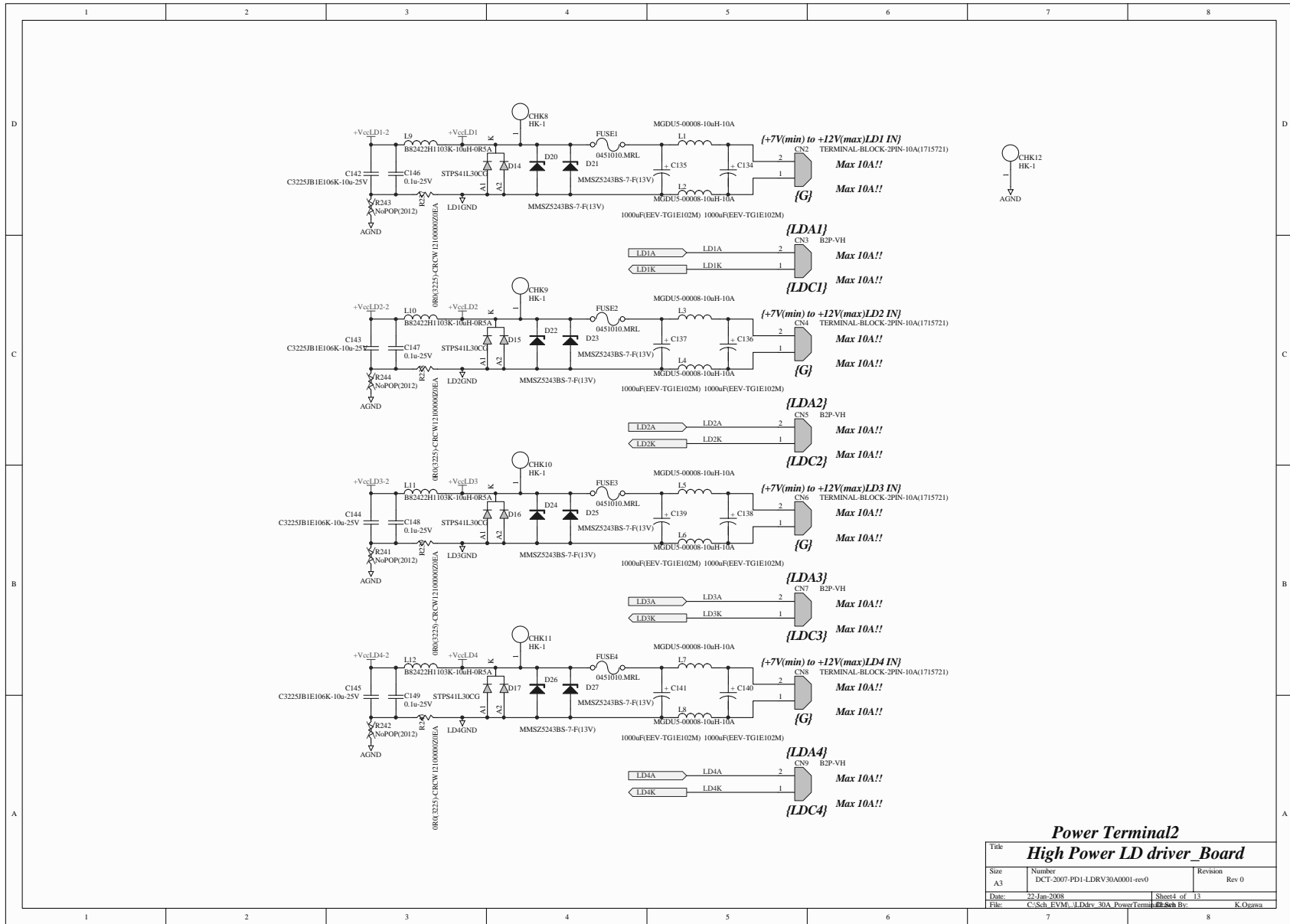
**Power On Reset
High Power LD driver Board**

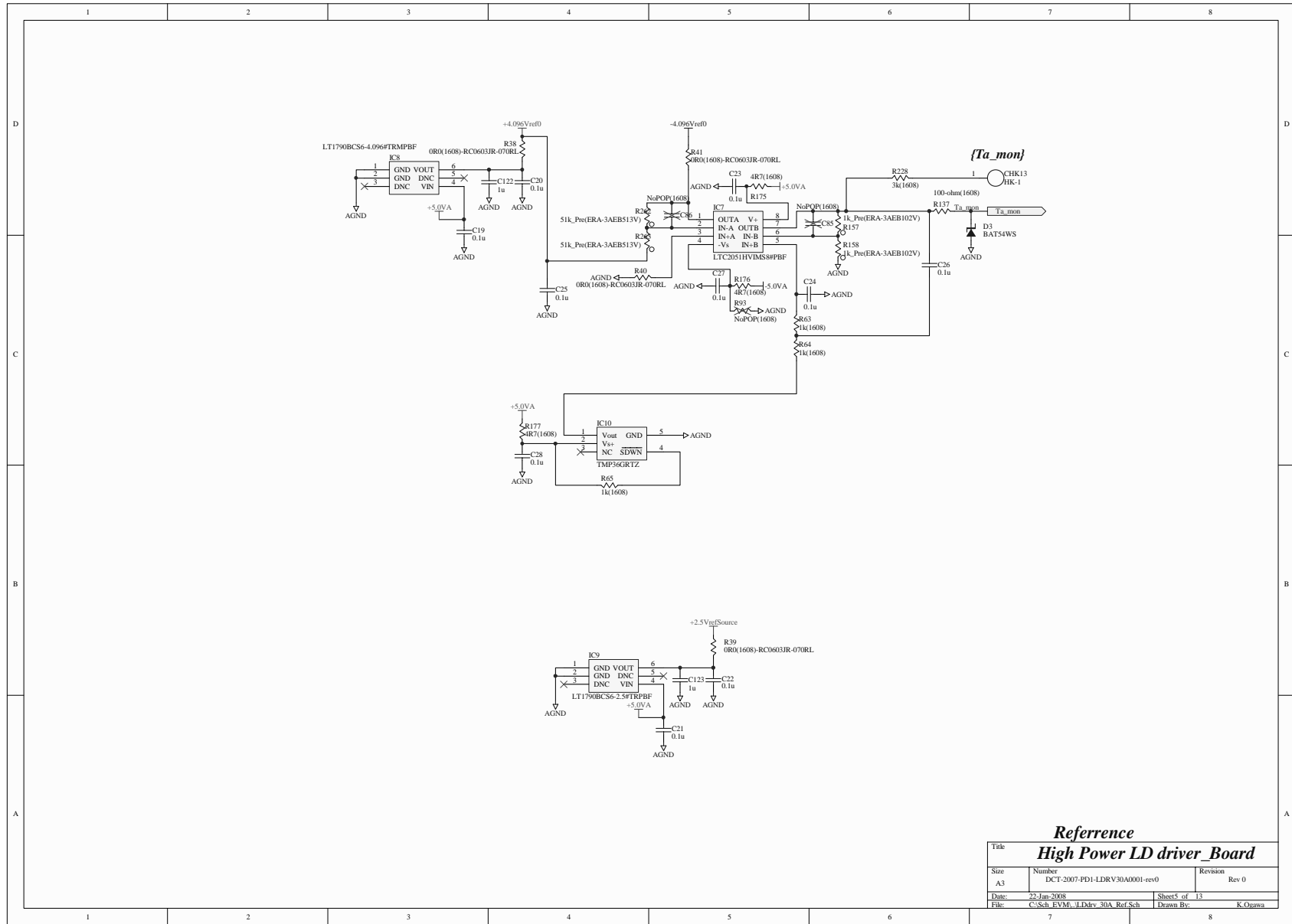
Title	Power On Reset High Power LD driver Board	
Size	Number	Revision
A3	DC1-2007-PD1-LDRV30A0001-rev0	Rev 0
Date:	22-Jan-2008	Sheet 2 of 13
File:	C:\Sch_EVM\LDdiv_30A_PowerOnReset	Drawn By: K.Ozawa



**Power Terminal
High Power LD driver Board**

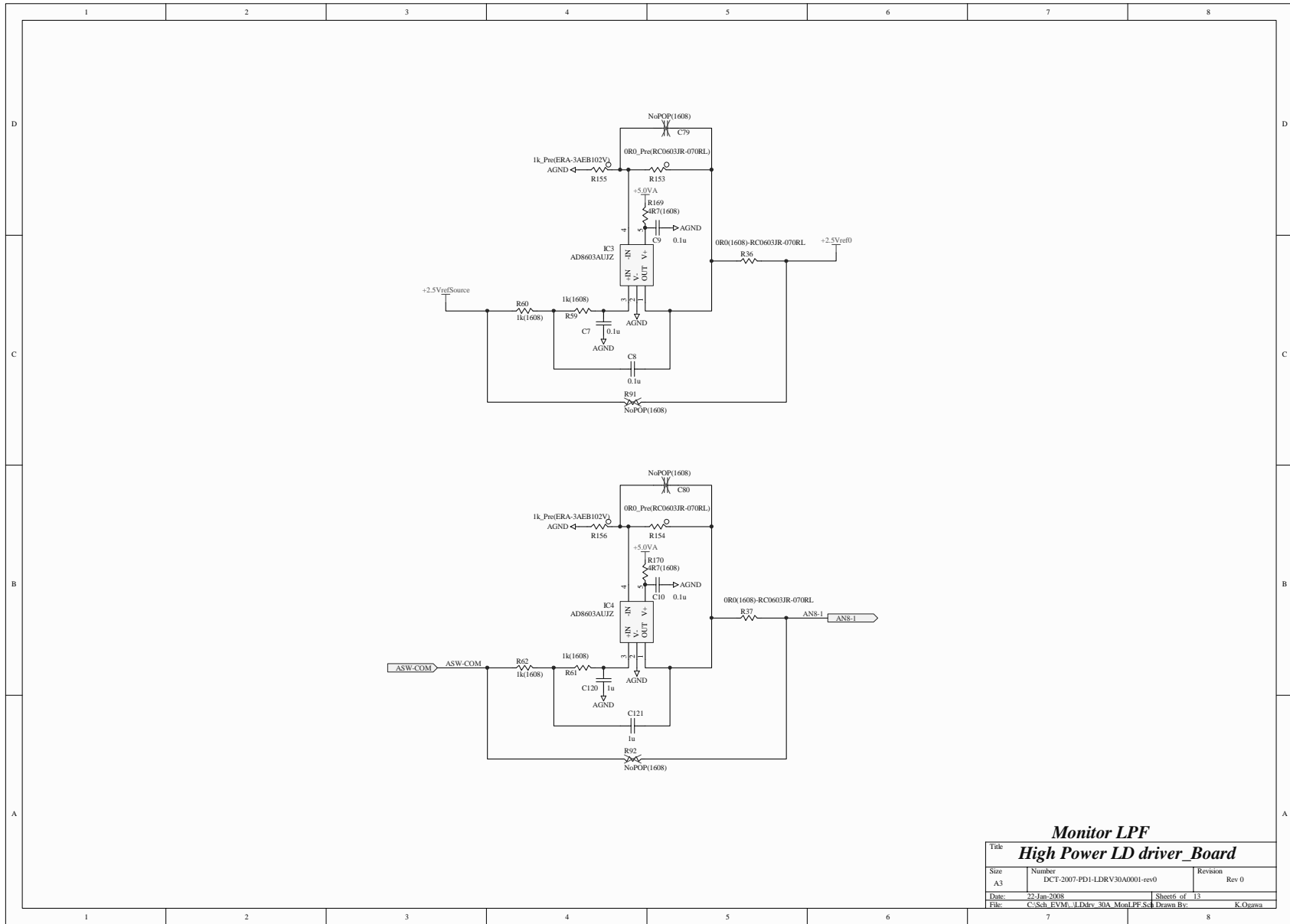
Title	High Power LD driver Board	
Size	Number	Revision
A3	DCT-2007-PD1-LDRV30A0001-rev0	Rev 0
Date:	22-Jan-2008	Sheet 3 of 13
File:	C:\Sch_EVM\LDdiv_30A_PowerTerm	Drawn By: K.Ogawa





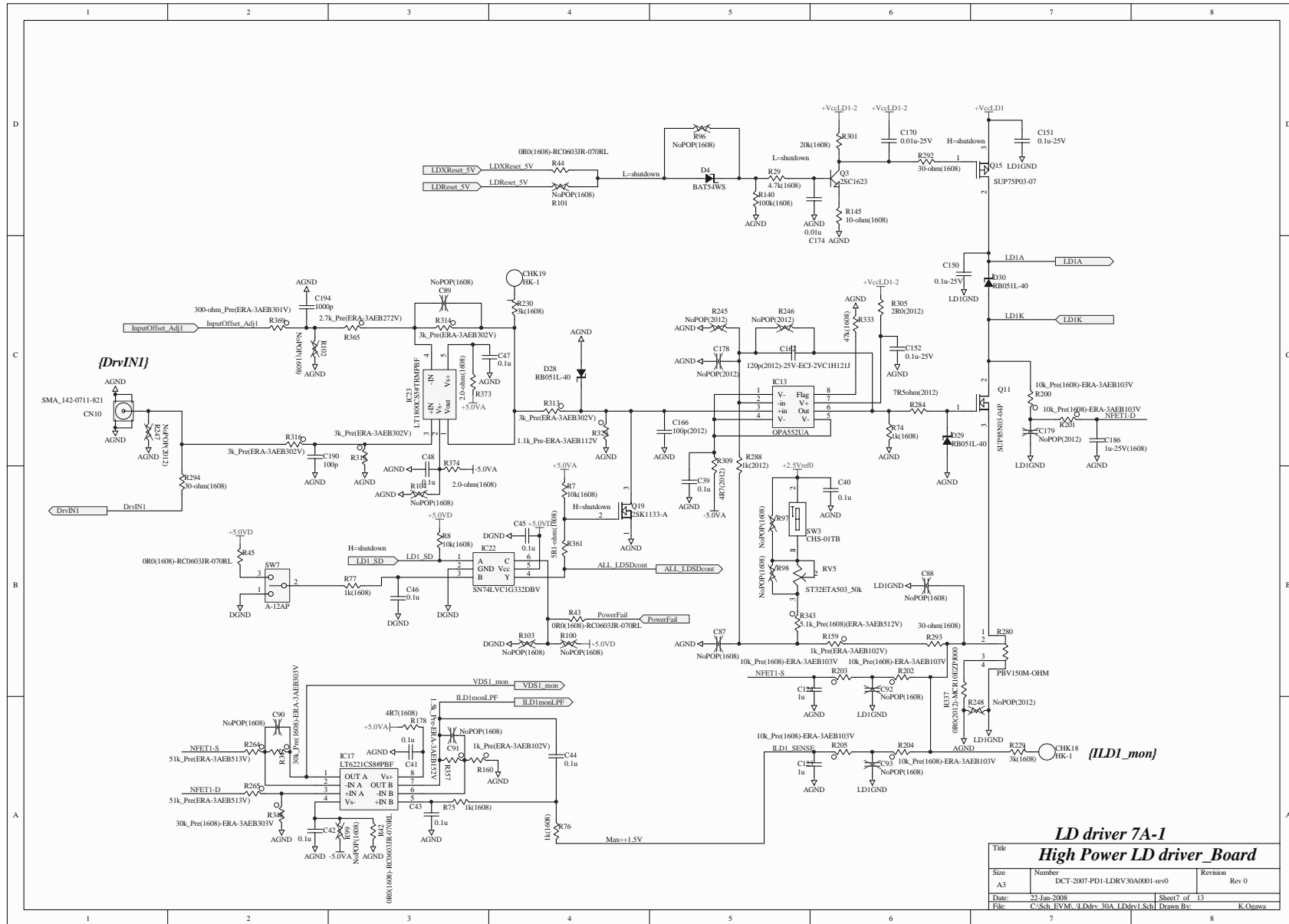
Reference
High Power LD driver Board

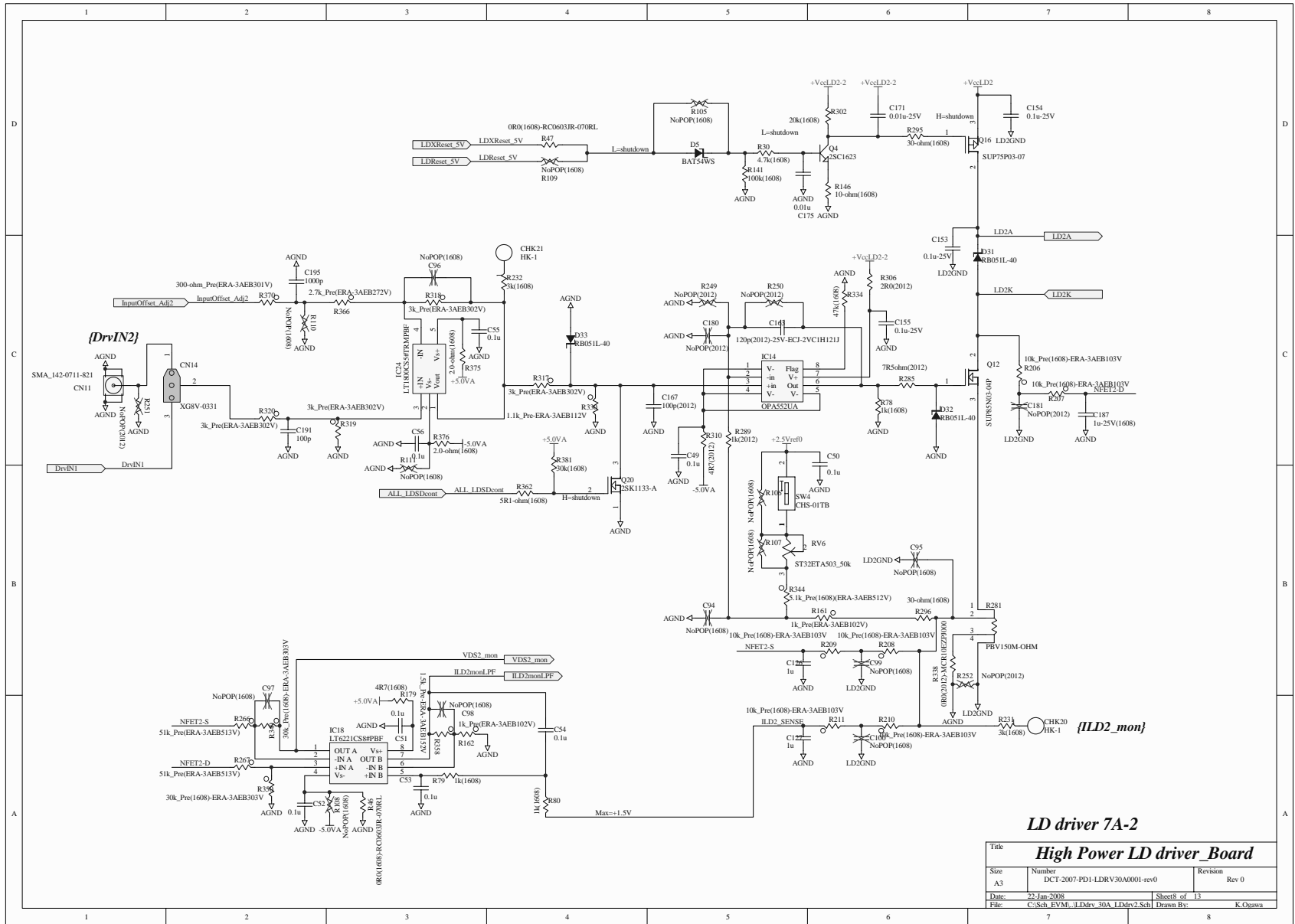
Title	High Power LD driver Board	
Size	Number	Revision
A3	DC1-2007-PD1-LDRV30A0001-rev0	Rev 0
Date:	22-Jan-2008	Sheet 5 of 13
File:	C:\Sch_EVM\LDdiv_30A_Ref_Sch	Drawn By: K.Ogawa



Monitor LPF
High Power LD driver Board

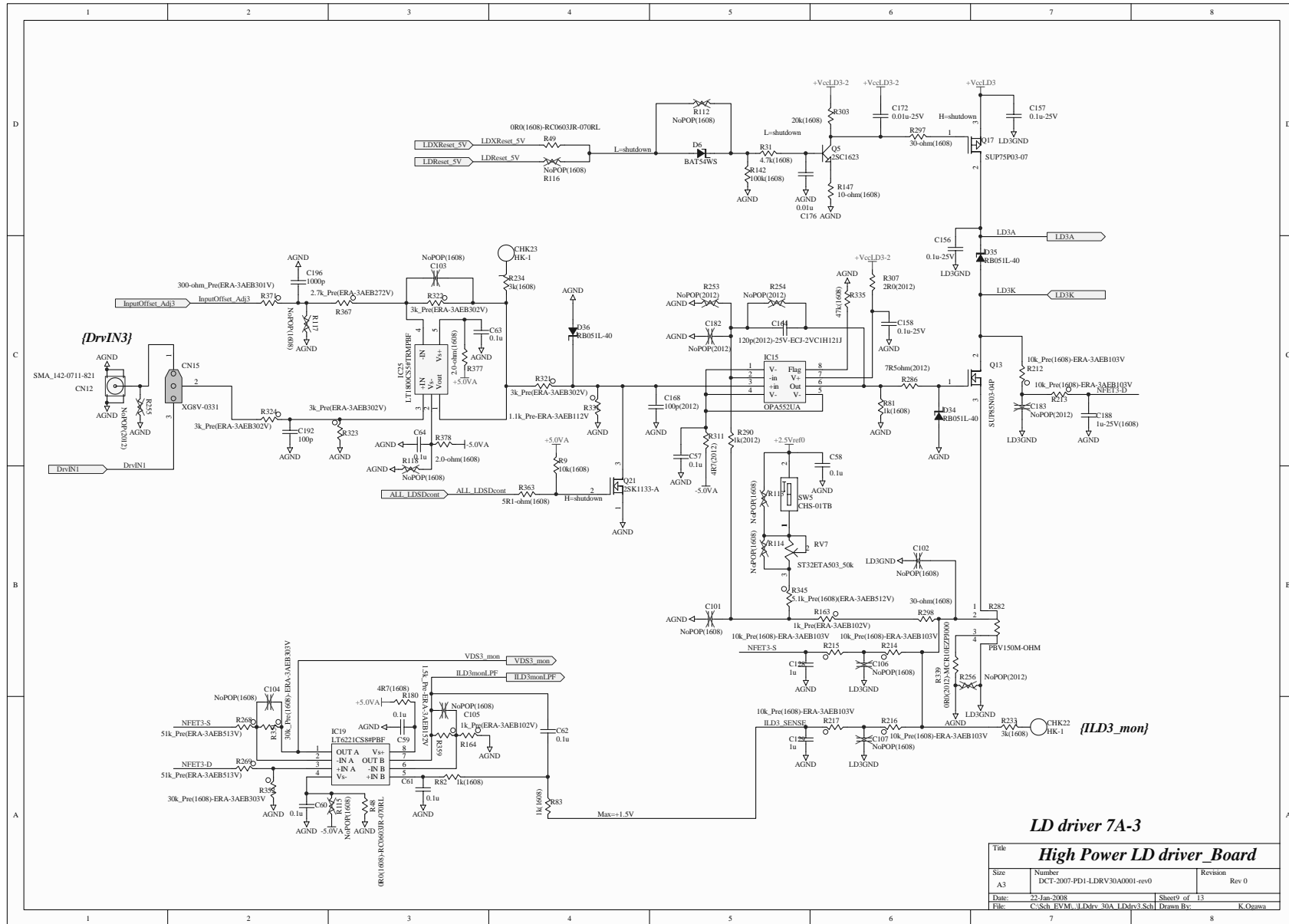
Title		
Size	Number	Revision
A3	DCT-2007-PD1-LDRV30A0001-rev0	Rev 0
Date:	22-Jan-2008	Sheet 6 of 13
File:	C:\Sch_EVM\LDdiv_30A_MonLPF_Sch	Drawn By: K.Ogawa





LD driver 7A-2

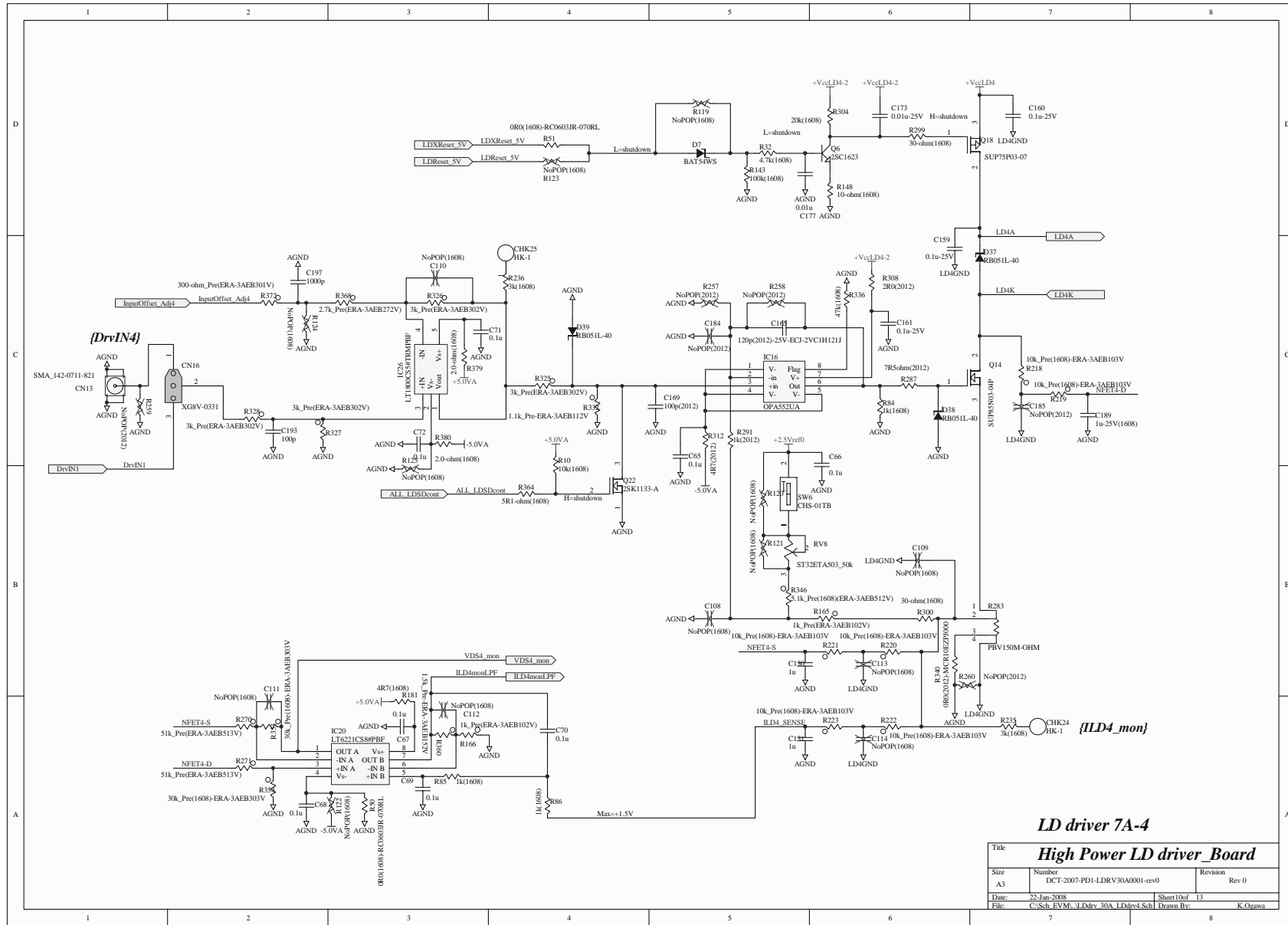
Title		
High Power LD driver Board		
Size	Number	Revision
A3	DC1-2007-PD1-LDRV30A0001-rev0	Rev 0
Date:	Sheet 8 of 13	
File:	C:\Sch_EVM\LDdrv_30A_LD[rv2_Sch]	Drawn By: K.Ogawa



LD driver 7A-3

High Power LD driver Board

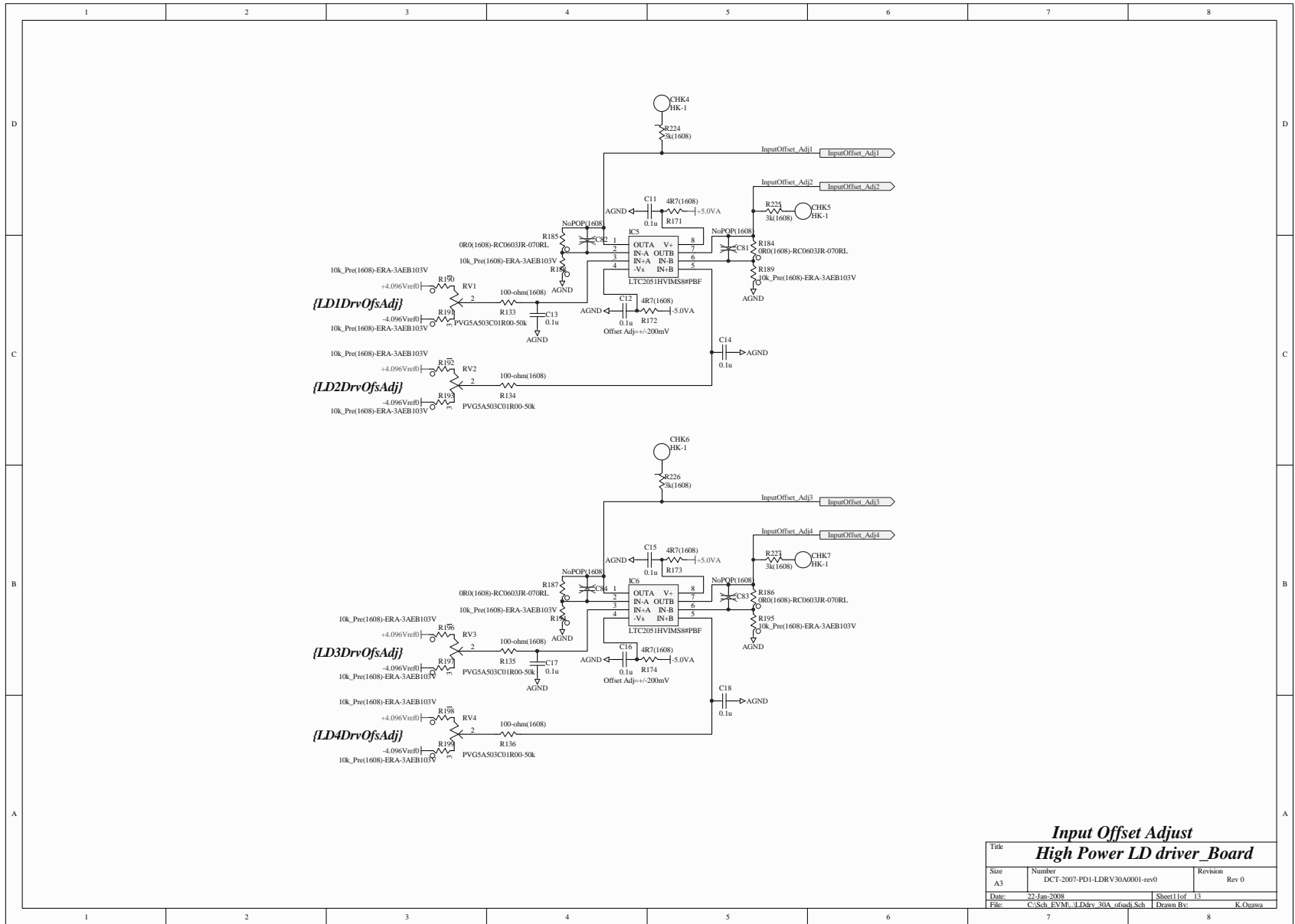
Title	High Power LD driver Board	
Size	Number	Revision
A3	DCT-2007-PD1-LDRV30A0001-rev0	Rev 0
Date:	22-Jan-2008	
File:	C:\Sch_EVM\LDdrv_30A_LDdrv3_Sch	Sheet9 of 13
	Drawn By:	K.Ogawa



LD driver 7A-4

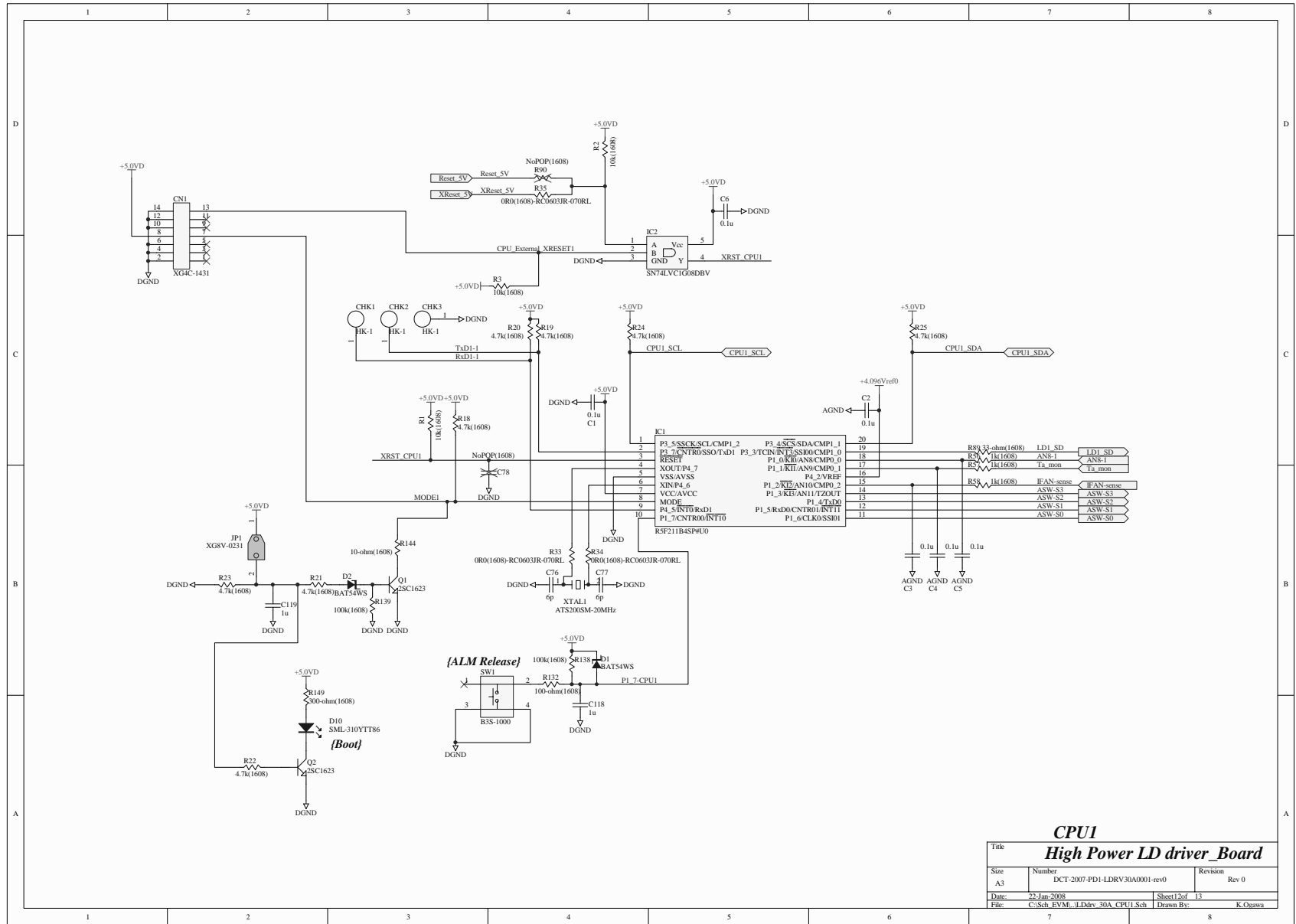
High Power LD driver Board

Title	High Power LD driver Board	
Size	Number	Revision
A3	DC1-2007-PD1-LDRV30A0001-rev0	Rev 0
Date:	22-Jan-2008	Sheet 1 of 13
File:	C:\Sch_EVM\LDdiv_30A_LD[rv4].Sch	Drawn By: K.Ogawa



**Input Offset Adjust
High Power LD driver Board**

Title		
Size	Number	Revision
A3	DC1-2007-PD1-LDRV30A0001-rev0	Rev 0
Date:	22-Jan-2008	Sheet 1 of 13
File:	C:\Sch_EVM\LDdrv_30A_ofsadj.Sch	Drawn By: K.Ogawa



CPU1
High Power LD driver Board

Title		
Size	Number	Revision
A3	DCT-2007-PD1-LDRV30A0001-rev0	Rev 0
Date:	22-Jan-2008	Sheet 12 of 13
File:	C:\Sch_EVM\...LDdiv_30A_CPU1.Sch	Drawn By: K.Ogawa

